

# NEXTEM<sup>+</sup>

The Next Gen Electric Commercial Vehicle



## Minke series

**DYNAMIC<sup>+</sup>**



**CONTROL<sup>+</sup>**



**CAPACITY<sup>+</sup>**

## Extreme Efficient



Full-Aluminum body

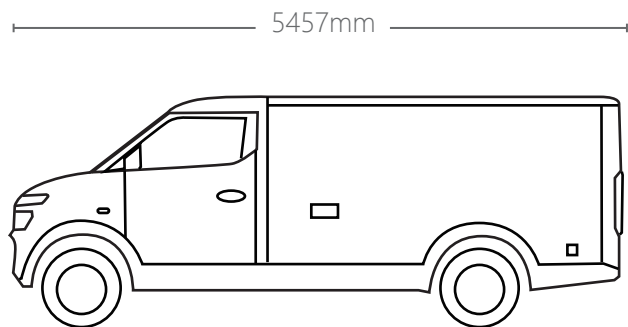
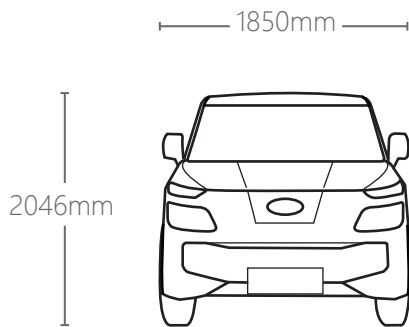


Comfort Space



Easy Load / Unload  
Extra Large Cargo Space

## Technical Data Dimensions



## Specification

LENGTH(MM)	5457	MOTOR POWER	30/60kW(Peak)
WIDTH(MM)	1850	DRIVE MODE	2WD Rear
HEIGHT(MM)	2046	NET WEIGHT(KG)	1650
BOX DIMENSION(M)	7.5m <sup>3</sup>	MAXIMUM SPEED	95
WHEELBASE(MM)	3380	CHARGING TIME	DC 1h /AC 8h
PAYLOAD(KG)	1500	MAXIMUM GRADEABILITY	25%
RANGE(KM)	260	BATTERY CAPACITY(KWH)	43.5
BATTERY TYPE	LFP	PEAK TORQUE	>260 Nm